

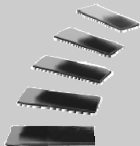


WISCONSIN MOTORS

Your Heavy-Duty Power Source

ADVANTAGE

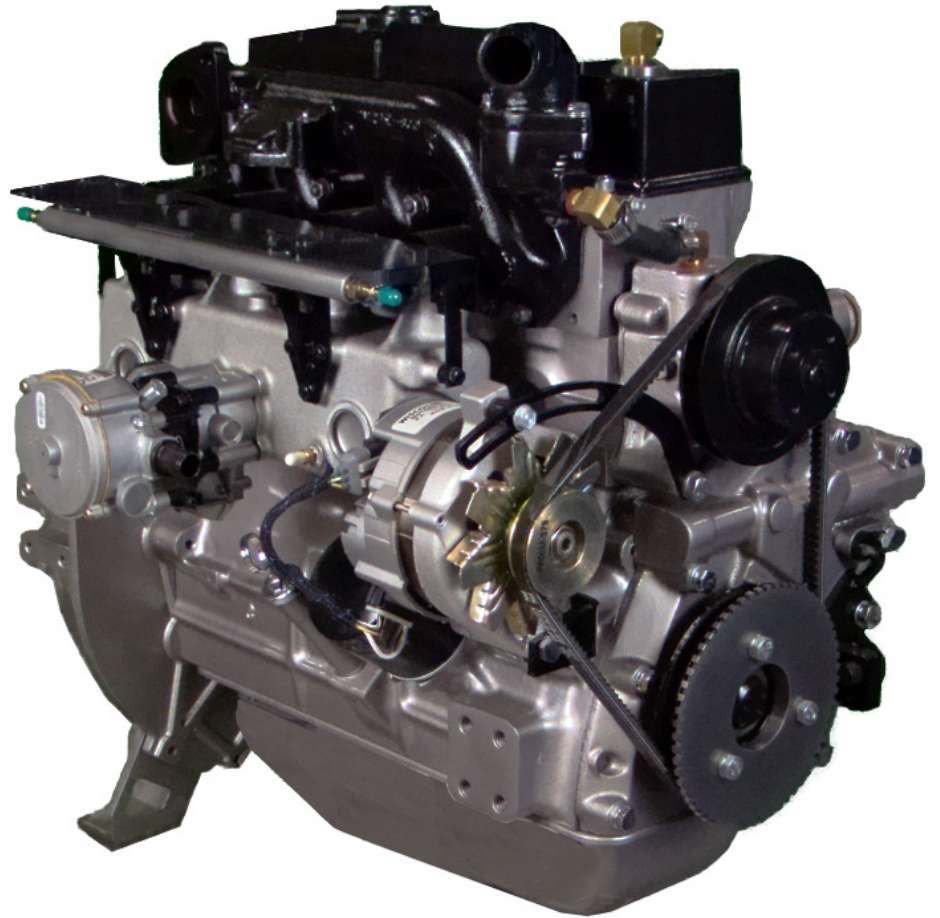
- EPA and CARB Certified
- Four Cylinder OHV
- Liquid-Cooled
- Stellite exhaust valves
- Drive-by-wire throttle control
- Sequential multi-port fuel injection (gasoline only)
- On-Board electronic engine management and diagnostics
- Precise engine speed control



Leading the way in industrial engine innovation

Continental **TME27**

72 HP Gasoline, Dual Fuel and LPG Configurations



Your Heavy-Duty Power Source

WORLDWIDE PARTS AND SERVICE

We back our engines with a world wide service network. Experienced Continental representatives are always ready to meet your needs.

Industrial by Design

EPA and CARB certified engines



WISCONSIN MOTORS

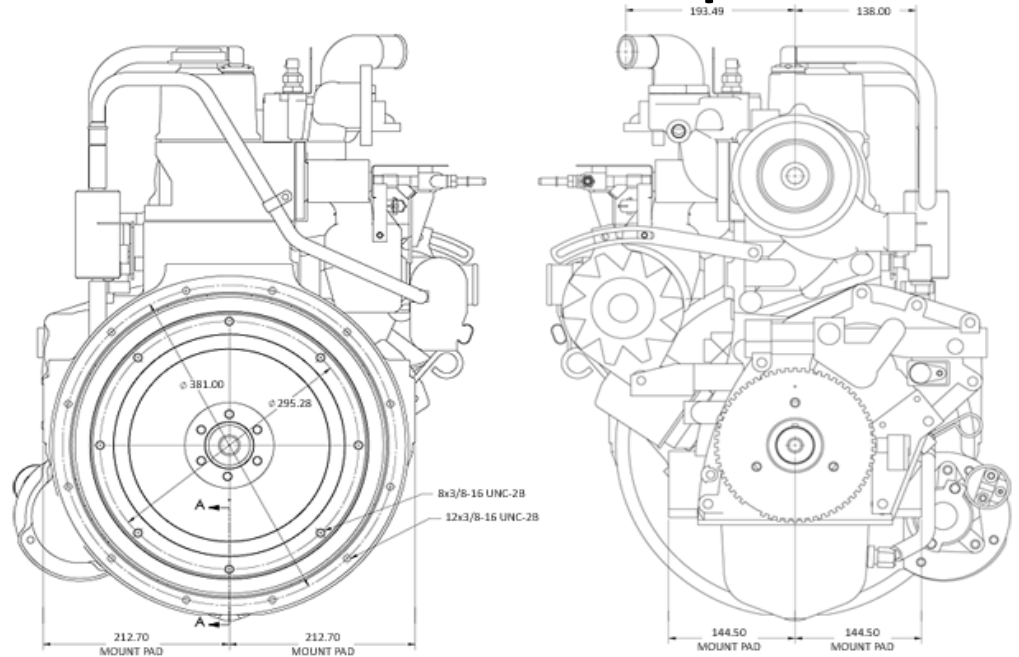
Your Heavy-Duty Power Source

Continental TME27

Performance Specifications

Standard Features

- Four cylinder OHV
- Liquid-cooled
- Heavy-duty cast iron block & cylinder heads
- Five main bearings
- Stellite exhaust valves
- Closed-loop air/fuel ratio control
- Drive-by-wire throttle control
- Precise engine speed control
- Sequential multi-port electronic fuel injection (gasoline only)
- On-board electronic engine management & diagnostics
- Post-catalyst O2 Sensor based diagnostics
- Low oil pressure & high coolant temperature shutdown protection
- SAE #4 flywheel housing
- High volume oil pump
- Full-flow oil filter
- 65 amp alternator with internal regulator



72 HP Gasoline, Dual Fuel and LPG

Power Output : Gasoline			Torque	
RPM	HP	KW	Ft.lbs	Kg-M
1500	34.5	25.7	120.6	16.7
1800	44.3	33.0	129.3	17.9
2000	49.0	36.6	128.8	17.8
2400	58.7	43.8	128.4	17.8
2600	63.6	47.4	128.5	17.8
2800	67.9	50.6	127.4	17.6
3000	72.0	53.7	126.1	17.4

Power Output : LPG			Torque	
RPM	HP	KW	Ft.lbs	Kg-M
1500	36.2	27.0	126.9	17.5
1800	43.7	32.6	127.5	17.6
2000	48.1	35.9	126.3	17.5
2400	56.8	42.4	124.3	17.2
2600	60.9	45.4	123.0	17.0
2800	64.5	48.1	120.9	16.7
3000	67.0	50.0	117.3	16.2

POWER OUTPUT

Maximum dynamometer gross brake horsepower of the basic engine corrected to a pressure reading of 29.3 in. Hg (99 kPa) dry barometer and temperature of 77°F(25°C) when tested in accordance with SAE Test Code J1995 (June 95). Engine output can be demonstrated within 5% at the factory under standard rating conditions. Power will decrease 3% for each 1,000 ft.(305 m) above 500 feet (152.4 m) and 1% for each 10°F(12.2°C) above standard temperature of 77°F (25°C). For continuous operation, applications should be limited to 80% of power shown.

Bore — 3.58 in. (91 mm)

Stroke — 4.06 in. (103.2 mm)

Piston Displacement—164.7 cu. in. (2.7 L)

EPA and CARB certified



The Continental TME27 is EPA and CARB certified. Wisconsin Motors is committed to a cleaner tomorrow beginning today.

Wisconsin Motors, LLC
2021 MacArthur Road
Waukesha, WI 53188
1-800-932-2858

www.wisconsinmotors.com